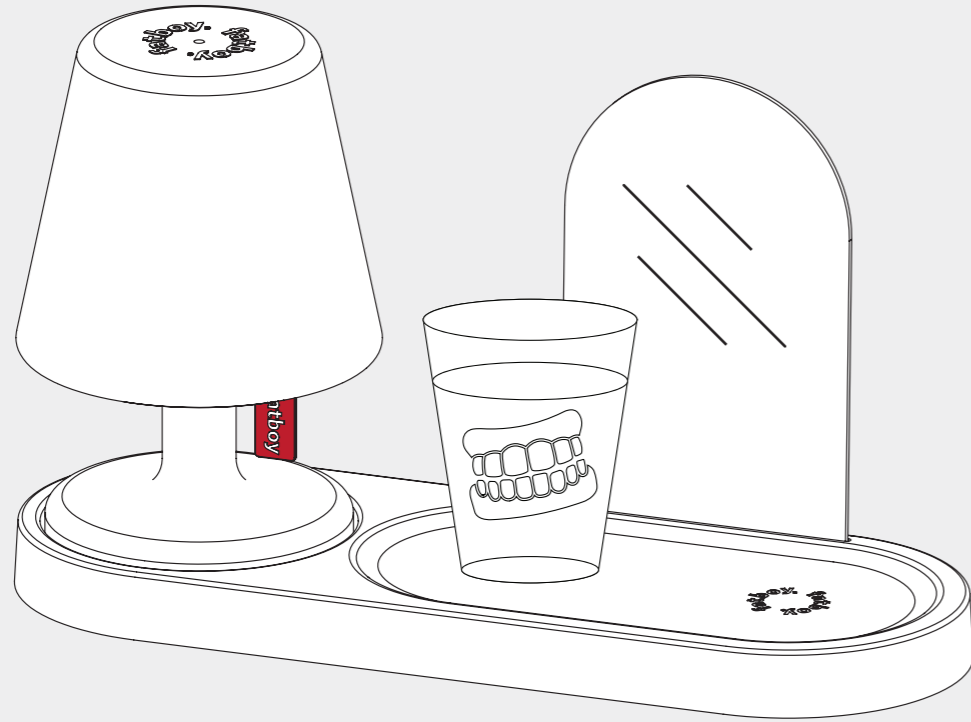
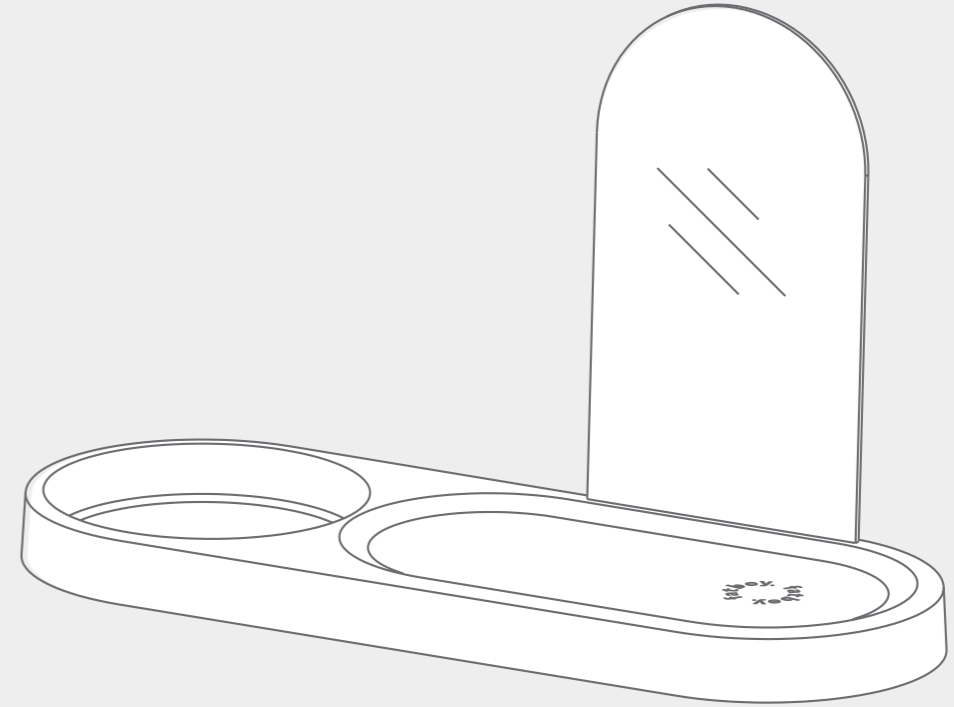


5.1



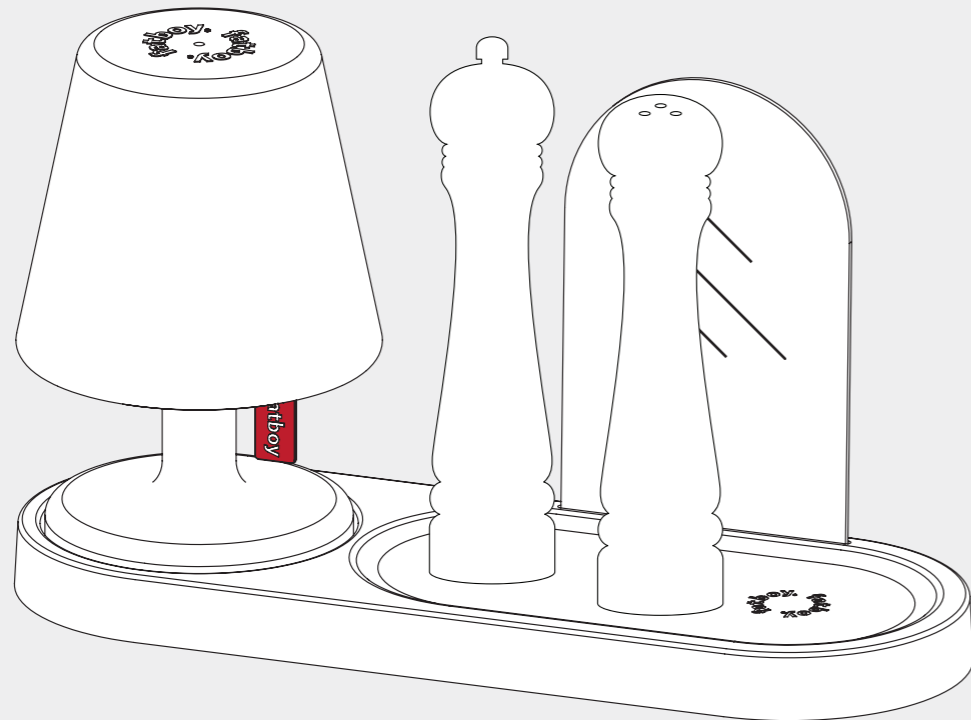
Edison the Petit Residence possibilities

EDISON THE PETIT RESIDENCE



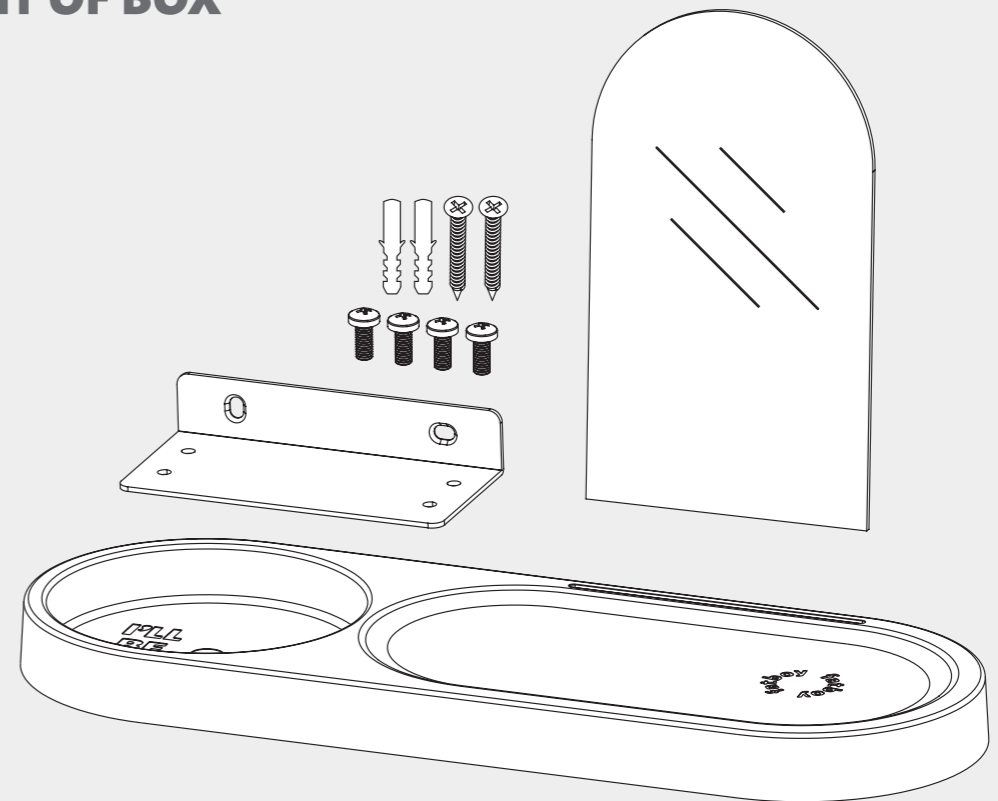
EN Manual
FR Manuel
DE Handbuch
ES Manual

5.2



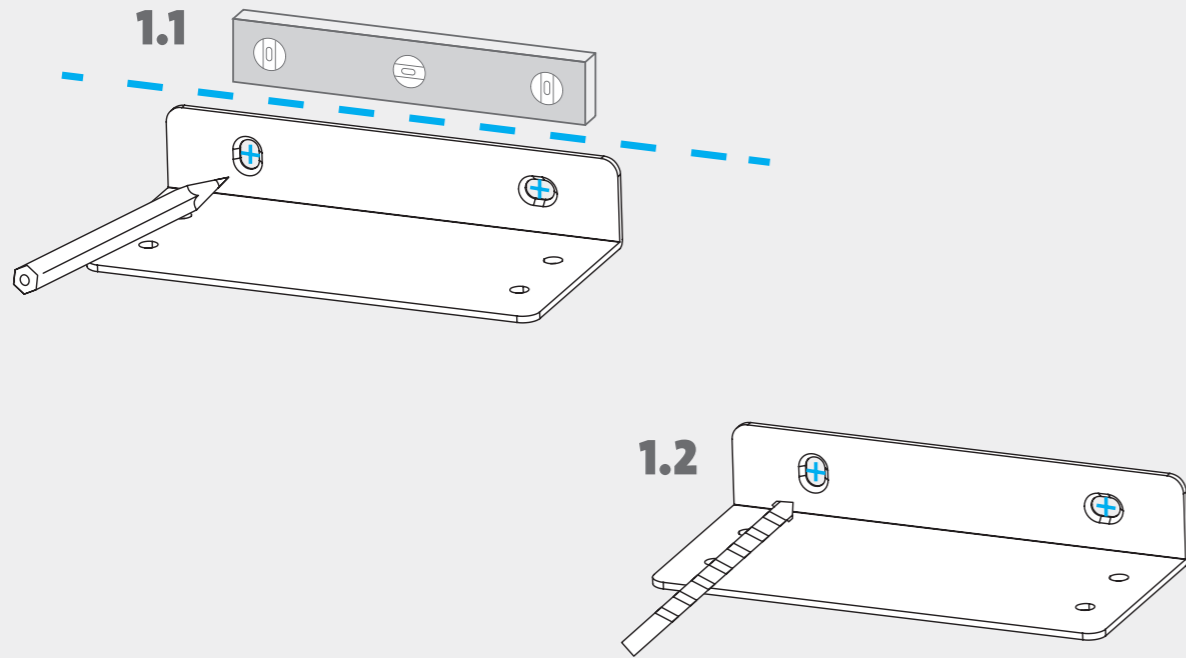
Edison the Petit Residence possibilities

CONTENT OF BOX



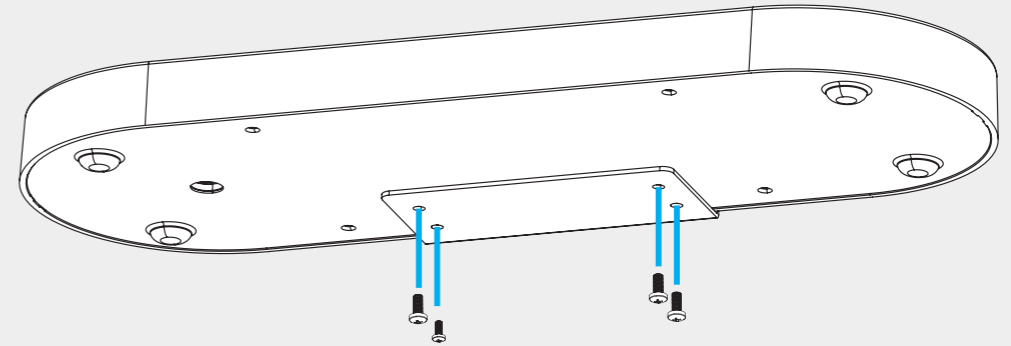
1 Tray
1 Wall mount
4 Bolts
2 Screws
2 Plugs
1 Mirror

1



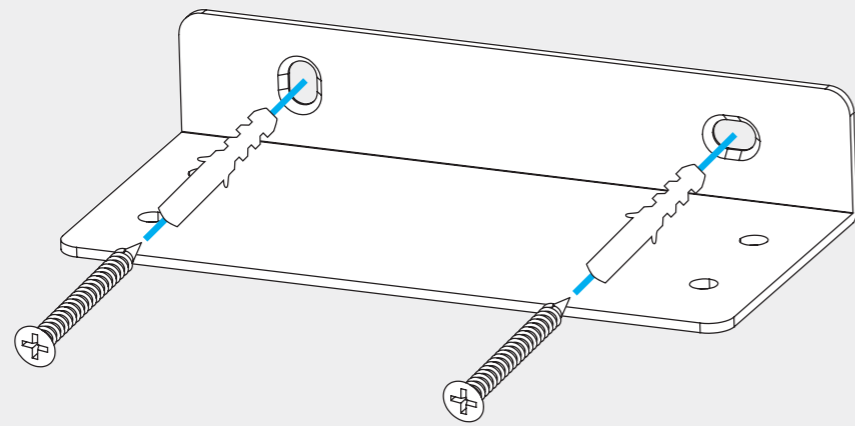
Level the wallmount, drill holes

3



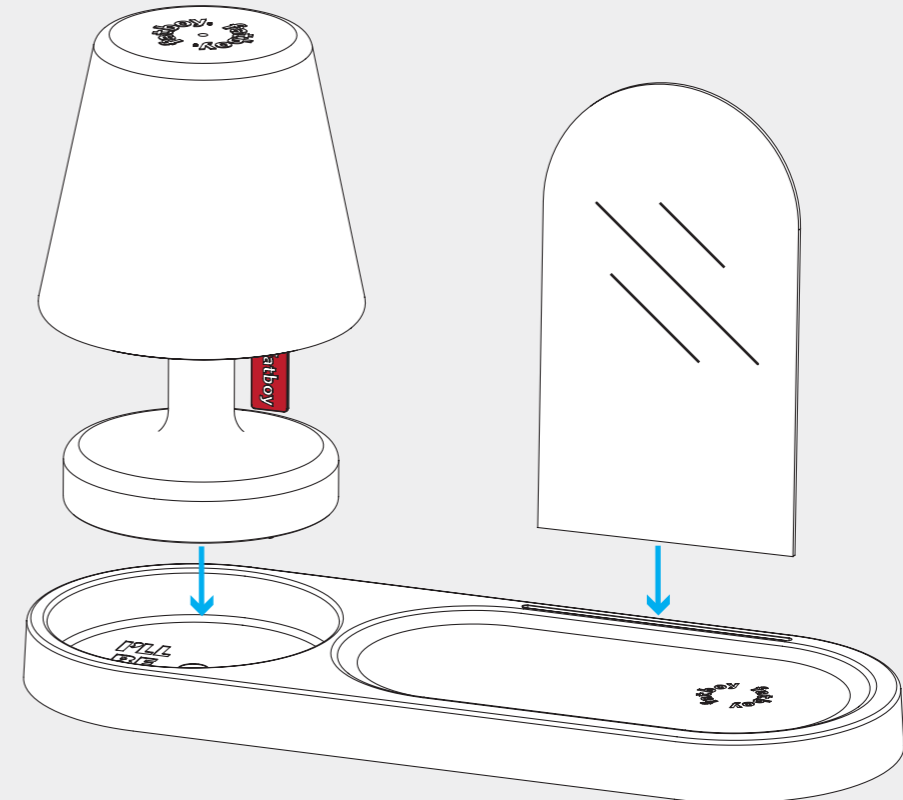
Lock tray using 4 screws

2



Screw to wall

4



Place Edison the Petit and mirror into the tray